

LED TUBE | 20W



THE GARNET ADVANTAGE



Save Energy

Saves upto 60% energy



Environment Friendly

No UV & IR, zero mercury



User Friendly

Easily retrofitted in existing fixtures



Long Life

Maintenance free - upto 50000 hrs

PRODUCT FEATURES

1. High brightness LM80 tested LED technology.
2. Scientifically designed heat sink for efficient heat dissipation.
3. High efficiency, non yellowing diffuser with no LED spot visible.
4. High efficiency isolated LED driver with inbuilt protection.
5. Easily retrofitted in existing T8/T12 fluorescent fixtures.



GARNET
LED LIGHTING RANGE

Wipro Consumer Care

Doddakannelli, Sarjapur Road, Bangalore - 560 035.
Phone 080 2844 0011. Toll-Free No 1800-425-1969.
Email feedback.wcc@wipro.com

TECHNICAL SPECIFICATIONS

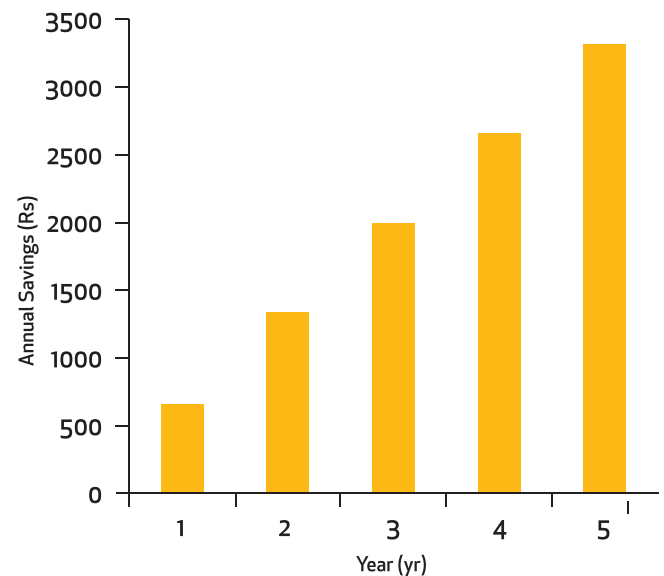
Product Code	Wattage (W)	Lumen (lm)	CCT (K)	Voltage (V AC)	Power Factor	Length (mm)	MRP (Rs)
D612065	20	1900	6500	240	>0.9	1200	890
D612027	20	1650	2700	240	>0.9	1200	3000

APPLICATIONS: Textile Industry | Homes | Factories | Shopping Malls | Refrigeration Areas | Basement & Parking



COMPARISON - LED TUBE & FTL

Parameter	40W T12	20W LED Tube
Length(mm)	1200	1200
System Wattage (W)	52	20
Efficacy (lm/W)	60	100
Life (hours)	5000	50000
Mercury content	Yes	No
Fragile	Yes	No
Vibration resistant	No	Yes
Flickering	Yes	No



RETROFIT INSTALLATION DETAIL

1. Open the fixture housing, bypass ballast & remove starter if exists (Fig. 1)
2. Replace fluorescent lamp with LED Tube (Fig. 2)
3. Reconnect live (L) to one end & Neutral (N) to other as in (Fig. 2)
4. Reconnect power to the fixture & turn on switch.

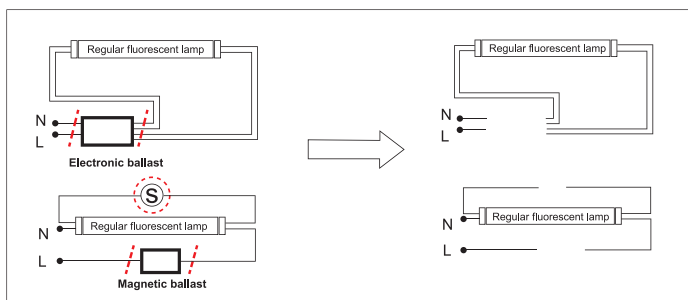


Fig.1

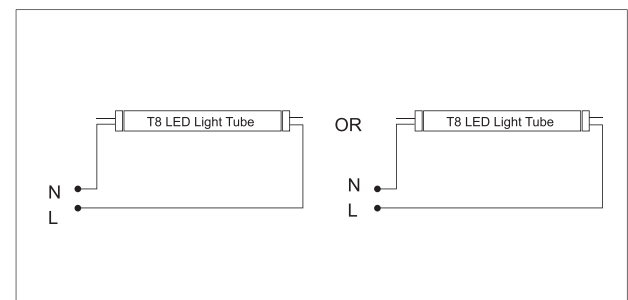


Fig.2



GARNET
LED LIGHTING RANGE

Wipro Consumer Care

Doddakannelli, Sarjapur Road, Bangalore - 560 035.
Phone 080 2844 0011. Toll-Free No 1800-425-1969.
Email feedback.wcc@wipro.com